

 **IntesisBox<sup>®</sup>**  
ME-AC-MBS-1 v.1.13

MODBUS RTU (RS-485) Interface for Mitsubishi Electric air conditioners.

Compatible with all models of Domestic & Mr.Slim lines.

User Manual

Order Code: **ME-AC-MBS-1**



**АРКТИКА**  
WWW.ARKTIKA.RU

– официальный дистрибьютор

**INTESIS**  
SOFTWARE, SL

## © Intesis Software S.L. 2009. All Rights Reserved.

Information in this document is subject to change without notice. No part of this publication may be reproduced, stored in a retrieval system or transmitted in any form or any means electronic or mechanical, including photocopying and recording for any purpose other than the purchaser's personal use without the written permission of Intesis Software S.L.

Intesis Software S.L.  
Milà i Fontanals, 1 bis - 1<sup>º</sup>  
08700 Igualada  
Spain

### TRADEMARKS

All trademarks and tradenames used in this document are acknowledged to be the copyright of their respective holders.



**АРКТИКА**  
WWW.ARKTIKA.RU

– официальный дистрибьютор

**INTESIS**  
SOFTWARE, SL

**INDEX**

1.	Presentation .....	4
2.	Connection .....	5
3.	Modbus Interface Specification .....	6
3.1	Modbus physical layer .....	6
3.2	Modbus Registers .....	6
3.2.1	Control and status registers .....	6
3.2.2	Configuration Registers .....	7
3.3	DIP-switch Configuration Interface .....	8
3.4	Implemented Functions .....	9
3.5	Configuration of the device .....	9
3.6	Device LED indicator .....	10
3.7	RS485 bus. Termination resistors and Fail Safe Biasing mechanism .....	10
4.	Specifications .....	12
5.	List of supported AC Unit Types .....	13
6.	Available features for each type of AC Unit. ....	14
7.	Error Codes .....	17



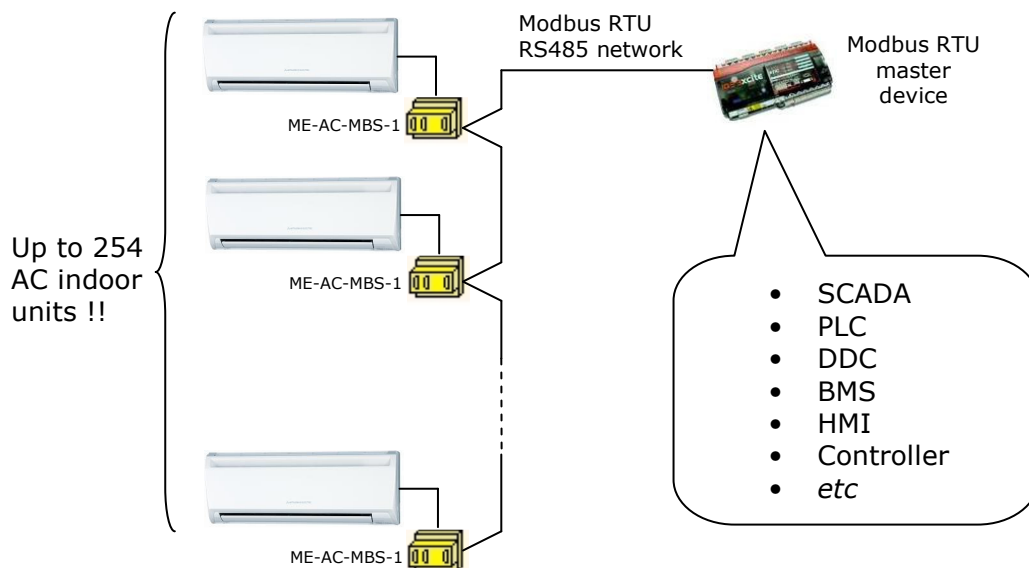
## 1. Presentation



The ME-AC-MBS-1 interface allows a complete and natural integration of **Mitsubishi Electric** air conditioners into Modbus RTU (RS-485) networks.

Compatible with all models of Domestic and Mr.Slim line.

- Reduced dimensions. 93 x 53 x 58 mm.
- Quick and easy installation.  
*Mountable on DIN rail, wall, or even inside the indoor unit in some models of AC.*
- External power not required.
- Direct connection to MODBUS RTU (RS-485) networks. Up to 254 ME-AC-MBS-1 devices can be connected in the same network.  
*ME-AC-MBS-1 is a Modbus slave device.*
- Direct connection to the AC indoor unit.  
*The cable for this connection is also supplied.*
- Configuration from both on-board DIP-switches and MODBUS RTU.
- Total Control and Supervision.
- Real states of the AC unit's internal variables.
- Allows to use simultaneously the IR remote control and MODBUS RTU.



## 2. Connection

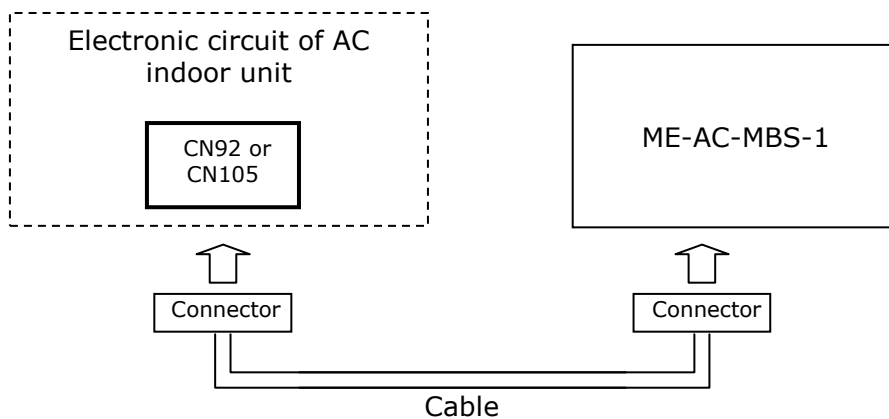
The interface comes with cable + connectors for direct connection to the AC indoor unit, and with a plug-in terminal block of 2 poles for connection to a Modbus RTU RS-485 network.

To connect the ME-AC-MBS-1 interface to the AC indoor unit:

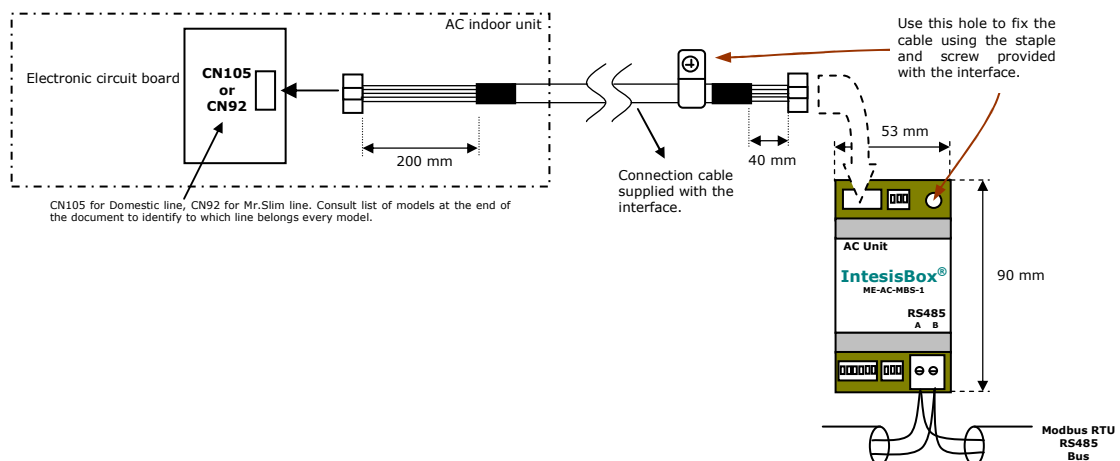
Disconnect mains power from the AC unit. Open the front cover of the indoor unit in order to have access to the electronic circuit. In the electronic circuit locate the socket connector marked as:

**CN92** in Mr.Slim models, or **CN105** in the rest of models.

Using the cable that comes with the interface, insert one of its connectors, the one installed in the shortest uncovered part, into the socket of the ME-AC-MBS-1, and the other connector, the one installed in the largest uncovered part, to the socket **CN92** or **CN105** of the AC unit's electronic circuit. You can place the ME-AC-MBS-1 inside or outside the AC indoor unit depending on your needs, remember that ME-AC-MBS-1 must be also connected to the Modbus RTU RS-485 network. Close the AC indoor unit's front cover again.



Do not modify the length of the cable supplied with the interface, it may affect to the correct operation of the interface.



### 3. Modbus Interface Specification

#### 3.1 Modbus physical layer

ME-AC-MBS-1 implements a MODBUS RTU (slave) interface, to be connected to an RS-485 line. It performs an 8N1 communication (8 data bits, no parity and 1 stop bit) with several available baudrates (2400 bps, 9600 bps -default-, 19200 bps and 57600 bps).

#### 3.2 Modbus Registers

All registers are of type "16-bit unsigned Holding Register", in standard modbus' big endian notation.

##### 3.2.1 Control and status registers

Register Addr (protocol address)	Register Addr (PLC address)	R/W	Description
0	1	R/W	AC unit On/Off <ul style="list-style-type: none"> <li>▪ 0: Off</li> <li>▪ 1: On</li> </ul>
1	2	R/W	AC unit Mode <sup>1</sup> <ul style="list-style-type: none"> <li>▪ 0: Auto</li> <li>▪ 1: Heat</li> <li>▪ 2: Dry</li> <li>▪ 3: Fan</li> <li>▪ 4: Cool</li> </ul>
2	3	R/W	AC unit Fan Speed <sup>1</sup> <ul style="list-style-type: none"> <li>▪ 0: Auto</li> <li>▪ 1: Low</li> <li>▪ 2: Mid-1</li> <li>▪ 3: Mid-2</li> <li>▪ 4: High</li> </ul>
3	4	R/W	AC unit Vane Position <sup>1</sup> <ul style="list-style-type: none"> <li>▪ 0: Auto</li> <li>▪ 1: Horizontal</li> <li>▪ 2: Position-2</li> <li>▪ 3: Position-3</li> <li>▪ 4: Position-4</li> <li>▪ 5: Vertical</li> <li>▪ 6: Swing</li> </ul>
4	5	R/W	AC unit Temperature Setpoint <sup>1,2</sup> <ul style="list-style-type: none"> <li>▪ 16..31 (°C)</li> <li>▪ 61..90 (°F)</li> </ul>
5	6	R	AC unit Ambient Temperature <sup>2</sup> <ul style="list-style-type: none"> <li>▪ 10..38 (°C)</li> <li>▪ 50..100 (°F)</li> </ul>
6	7	R/W	Window Contact <ul style="list-style-type: none"> <li>▪ 0: Closed</li> <li>▪ 1: Open</li> </ul>

<sup>1</sup> See Section 6 for detail on indoor unit model differences and function availability

<sup>2</sup> Magnitude for this register can be adjusted to Celsius (default) or Fahrenheit through DIP switch P5



Register Addr (protocol address)	Register Addr (PLC address)	R/W	Description
7	8	R/W	Device Disablement <sup>3</sup> <ul style="list-style-type: none"> <li>▪ 0: ME-AC-MBS-1 enabled</li> <li>▪ 1: ME-AC-MBS-1 disabled</li> </ul>
8	9	R/W	IR Remote Command Disablement <sup>3</sup> <ul style="list-style-type: none"> <li>▪ 0: Remote Command enabled</li> <li>▪ 1: Remote Command disabled</li> </ul>
9	10	R/W	AC unit Operation Time <sup>3</sup> <ul style="list-style-type: none"> <li>▪ 0..65535 (hours). Counts the time the AC unit is in "On" state.</li> </ul>
10	11	R	AC unit Alarm Status <ul style="list-style-type: none"> <li>▪ 0: No alarm condition</li> <li>▪ 1: Alarm condition</li> </ul>
11	12	R	Error Code <sup>4</sup> <ul style="list-style-type: none"> <li>▪ 8000: No error present</li> <li>▪ 8001: Error in the communication of ME-AC-MBS-1 against the AC unit</li> <li>▪ 65535 (-1 if read as signed value): Status of AC error has not been obtained yet (initialization value)</li> <li>▪ Any other: Error present. See table at the end of this document.</li> </ul>

### 3.2.2 Configuration Registers

12	13	R/W	AC Model* * For firmware versions 1.10 onwards (value 266 in register 51) it is NOT needed to setup AC model on the interface, so this register is not used (its value is always "0")
13	14	R/W	"Open Window" switch-off timeout <sup>5, 3</sup> <ul style="list-style-type: none"> <li>▪ 0..30 (minutes)</li> <li>▪ Factory setting: 30 (minutes)</li> </ul>
14	15	R/W	Modbus RTU baud-rate <sup>6, 3</sup> <ul style="list-style-type: none"> <li>▪ 0: 2400 bps</li> <li>▪ 1: 9600 bps</li> <li>▪ 2: 19200 bps</li> <li>▪ 3: 57600 bps</li> <li>▪ Factory setting: 1 (9600 bps)</li> </ul>
15	16	R/W	Device's Modbus slave address <sup>6, 3</sup> <ul style="list-style-type: none"> <li>▪ 1..255</li> <li>▪ Factory setting: 0 (no address / configured at DIP-switch)</li> </ul>
50	51	R	Software version

<sup>3</sup> This value is stored in non-volatile memory

<sup>4</sup> See Section 7 for possible error codes and its explanation

<sup>5</sup> Once window contact is open, a count-down to switch off the AC Unit will start from this configured value

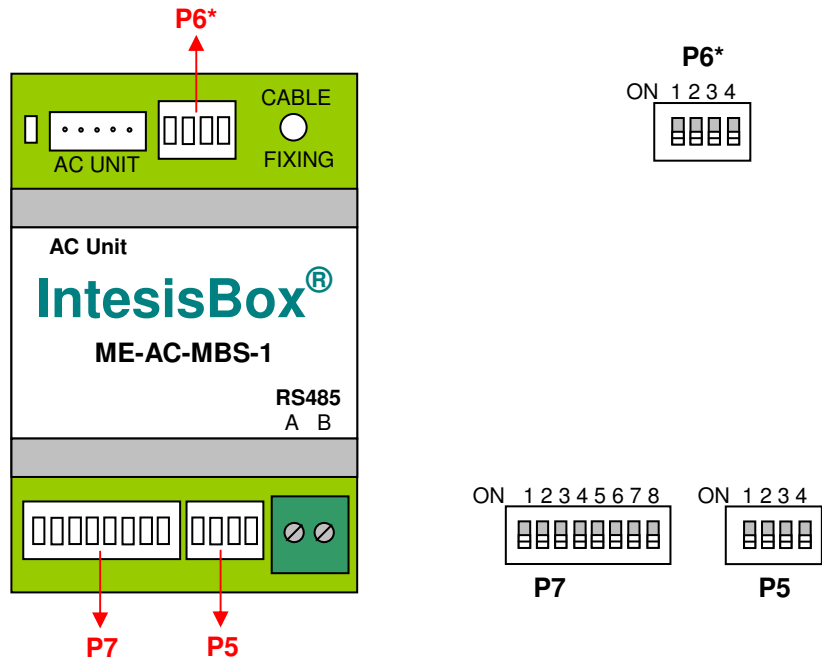
<sup>6</sup> This value can also be set-up from device's on-board DIP-switches. See Section 3.3



### 3.3 DIP-switch Configuration Interface

All configuration values on ME-AC-MBS-1 can be written and read from modbus interface. Though, some of them can also be setup from its on-board DIP-switch interface.

They are DIP-switches P5, P6\* and P7 on the device, in the following location:



The following table applies for configuration of the interface through these DIP-switches:

DIP SWITCH	Binary value	Decimal value	Switch Position	Description
P7 (modbus address)	00000000	0	1 2 3 4 5 6 7 8 ↓ ↓ ↓ ↓ ↓ ↓ ↓ ↓	Slave Address configured through modbus register 15 (and not through DIP-Switch interface)
	1 2.....8 b <sub>0</sub> b <sub>1</sub> .....b <sub>7</sub>	X	1:b <sub>0</sub> ... 8:b <sub>7</sub> ▪ OFF ↓ for 0 ▪ ON ↑ for 1	Slave Address <sup>7</sup> , 1..255 (in binary)
P5 (baudrate)	0xxx	0	1 2 3 4 ↓ x x x	Baudrate configured through modbus register 14 (and not through DIP-Switch interface)
	1xxx	1	1 2 3 4 ↑ x x x	9600 bps

<sup>7</sup> Device comes from factory with no configured slave address. It must be set up during first installation (either in DIP-switch interface, or by using modbus broadcast messages). See section 3.5



DIP SWITCH	Binary value	Decimal value	Switch Position	Description								
P5 (temperature magnitude)	x0xx	0	<table style="border: none; text-align: center;"> <tr><td>1</td><td>2</td><td>3</td><td>4</td></tr> <tr><td>x</td><td>↓</td><td>x</td><td>x</td></tr> </table>	1	2	3	4	x	↓	x	x	Temperature magnitude in register addresses 5 and 6 is Celsius (default – factory value)
	1	2	3	4								
x	↓	x	x									
x1xx	1	<table style="border: none; text-align: center;"> <tr><td>1</td><td>2</td><td>3</td><td>4</td></tr> <tr><td>x</td><td>↑</td><td>x</td><td>x</td></tr> </table>	1	2	3	4	x	↑	x	x	Temperature magnitude in register addresses 5 and 6 is Fahrenheit	
1	2	3	4									
x	↑	x	x									

\*DIP-Switch P6 is not used by current version of ME-AC-MBS-1

### 3.4 Implemented Functions

ME-AC-MBS-1 implements the following standard MODBUS functions:

- 3: Read Holding Registers
- 4: Read Input Registers
- 6: Write Single Register
- 16: Write Multiple Registers (Although this function is allowed, the interface does not allow write operations on more than 1 register with the same request, this means that length field should always be 1 when using this function for writes)

### 3.5 Configuration of the device

During first installation, it is necessary to appropriately set-up, at least, the following configuration parameters (in parenthesis its default / factory value):

- Modbus Slave Address (0 / no address)
- Modbus Baudrate (9600 bps)

All of them can be setup from both, modbus registers or P5 and P7 DIP-Switch interfaces.

Device comes from factory with all DIP-Switches set at low level (all zero / position OFF↓). At this point, the device can be configured by following one of the two following methods:

- Start an RS-485 8N1 communication at 9600 bps with the device, and setup registers 15 (Slave Address) and 14 (Baudrate) by sending broadcast messages (with Slave Address field = 0). Note that ME-AC-MBS-1 always receives broadcast messages, though they are never answered back (to avoid collisions).
- Configure DIP-Switch interface using values shown in Section 3.3

Note that, setting up a different baudrate than 9600 bps must be done from Modbus interface. This implies that, once this value has been changed to another baudrate, modbus interface will cease receiving data at previous baudrate (as new baudrate configuration immediately applies). So, immediately after changing baudrate configuration, remember to change the baudrate of the modbus master communicating with ME-AC-MBS-1.

In case that it is desired to configure the interface using its modbus configuration registers (instead of DIP-Switches), remember to keep all microswitches at low level (all zero / position ↓). Otherwise, configuration at DIP-Switches will prevail over the values configured at modbus registers.



### 3.6 Device LED indicator

The device includes a LED indicator to signal its different possible operational states. In the following table are presented the different indications it can perform and its meaning.

Device status	LED indication	ON / OFF Period	Meaning
On power-up	LED pulse	ON for 5 seconds / OFF after	Device reset / power-up
During normal operation	LED flashing	200ms ON / 2s OFF	Device correctly configured and working
During normal operation	LED OFF	OFF continuously	No modbus slave address configured
During normal operation	LED blinking	200ms ON / 200ms OFF	Communication Error with the AC unit

### 3.7 RS485 bus. Termination resistors and Fail Safe Biasing mechanism

RS485 bus requires a 120Ω terminator resistor at each end of the bus to avoid signal reflections.

In order to prevent fail status detections by the receivers "listening" the bus when all the transmitters outputs are in three-state (high impedance), it is also required a fail safe biasing mechanism. This mechanism provides a safe status (a correct voltage level) in the bus when all the transmitters outputs are in three-state.

The ME-AC-MBS-1 device includes an on-board terminator resistor of 120Ω that can be connected to the RS485 bus by using DIP-switch P5 (see below).

A fail safe biasing circuit has also been included in the board of ME-AC-MBS-1, it can be connected to the RS485 bus by placing the internal jumpers JP2 and JP3 (see details below).

This fail safe biasing of the RS485 bus must only be supplied by one of the devices connected to the bus. As this fail safe biasing circuit also provides a termination resistance, only one of both must be selected in the ME-AC-MBS-1 device, fail safe biasing (*jumpers JP2 and JP3 placed*) or terminator resistor (*DIP-switch P5 position 4 to ON*).

The device providing fail safe biasing or terminator resistor should be the one connected at one end of the bus. At the other end of the bus, if there is also a ME-AC-MBS-1 device, select the 120Ω terminator resistor through DIP-switch P5, or if there is a master device not providing internal 120Ω terminator resistor, connect an external 120Ω resistor in the bus terminal block connection of such master device.

*Some Modbus RTU RS485 master devices can provide also internal 120Ω terminator resistor and/or fail safe biasing (consult the technical documentation of the master device connected to the RS485 network in every case).*

Location of jumpers and DIP-switches for RS485 bus Termination resistor or Fail Safe Biasing selection:

















